

PhaseCap Premium PFC Capacitors

Gas-impregnated • Dry type • Concentric winding • Wavy cut • Triple safety system



General

PhaseCap capacitors in cylindrical aluminum cases have been designed for power factor correction in low-voltage applications.

Loads like motors and transformers consume active power as well as reactive power.

Generators, supply cables and other electrical distribution equipment, in turn, should be relieved of reactive power.

The MKK (metalized plastic compact) AC series is intended to increase packing density per bank and cut component costs.

Improved thermal response and simplified installation are advantages of the cylindrical aluminum case.



Applications

- Automatic PFC equipment, capacitor banks
- Individual fixed PFC (e.g. motors, transformers, lighting)
- Group fixed PFC
- Tuned and detuned capacitor banks
- Dynamic PFC

Features

- Compact design in cylindrical aluminum can with stud
- Concentric winding
- MKK-technology with wavy cut and heavy edge
- Voltage range 230 V ... 800 V
- Output range 5.0 kvar ... 33 kvar

Electrical

- Long life expectancy
- High pulse current withstand capability

Mechanical and maintenance

- Reduced mounting costs
- Maintenance-free
- Highest packing density thanks to compact dimensions

Safety

- Self-healing
- Overpressure disconnecter
- Shock hazard protected terminals
- Longterm approved
- cUL approval
- Ceramic discharge resistor pre-mounted

Environmental

- Dry design, inert gas
- No oil leakage

PhaseCap Premium PFC Capacitors

Gas-impregnated • Dry type • Concentric winding • Wavy cut • Triple safety system



Technical data and limit values		
Standards IEC 60831-1+2, EN 60831-1+2, UL 810 5 th edition		
Overvoltage	V_{max}	$V_R + 10\%$ (up to 8 h daily) / $V_R + 15\%$ (up to 30 min daily) / $V_R + 20\%$ (up to 5 min daily) / $V_R + 30\%$ (up to 1 min daily)
Overcurrent	I_{max}	up to $1.6 \cdot I_R$ including combined effects of harmonics, overvoltages and capacitance tolerance
Inrush current	I_S	up to $300 \cdot I_R$
Losses: – Dielectric – Total*		< 0.2 W/kvar < 0.45 W/kvar
Rated frequency	f	50/60 Hz
Capacitance tolerance		–5% / +10%
Test voltage, terminal/ terminal	V_{TT}	$2.15 \cdot V_{R1}$, AC, 2 s
Test voltage, terminal/ case	V_{TC}	up to $V_R \leq 660$ V: 3000 V AC, 10 s; above $V_R = 660$ V: 6000 V AC, 10 s
Mean life expectancy	$t_{LD(Co)}$	up to 180 000 h (temp. class –40/C); up to 130 000 h (temp. class –40/D)
Ambient temperature		–40/D; max. temp. +55 °C; max. mean 24 h = +45 °C; max. mean 1 year = +35 °C; lowest temperature = –40 °C
Cooling		natural or forced
Humidity	H_{rel}	max. 95%
Altitude		max. 4000 m above sea level
Mounting position		upright / horizontal
Mounting and grounding		threaded M12 stud on bottom of case
Safety		dry technology, overpressure disconnecter, self-healing, maximum allowed fault current 10 000 A in accordance with UL 810 standard
Discharge device		ceramic discharge resistor pre-mounted up to 660 V; external discharge module for > 660 V
Case		extruded aluminum can
Enclosure		IP20, indoor mounting (optionally with terminal cap for IP54)
Dielectric		polypropylene film
Impregnation		inert gas, Nitrogen (N ₂)
Terminals		optimized capacitor safety terminal with electric shock protection (IP20), (VDE 0106 part 100), max. 25 mm ² cable cross-section, max. current 80 A
Certification		cUL file # E238746, GOST
Number of switching operations		max. 7500 switchings per year

* Without discharge resistor

PhaseCap Premium PFC Capacitors

Gas-impregnated • Dry type • Concentric winding • Wavy cut • Triple safety system



Three-phase capacitors									
Type	50 Hz		60 Hz		C _R μF	d x h mm	Weight kg	Ordering code	Packing unit*
	Output kvar	I _R A	Output kvar	I _R A					
Rated voltage 230 V AC, 50/60 Hz, delta connection									
MKK230-D-5.0-01	5.0	13	6.0	16	3 · 100	116 x 164	1.3	B25667C3297A375	4
MKK230-D-7.5-01	7.5	19	9.0	23	3 · 150	116 x 164	1.3	B25667C2457A375	4
MKK230-D-10.4-01	10.4	26	12.5	31	3 · 209	116 x 164	1.5	B25667C2627A375	4
MKK230-D-12.5-01 ³⁾	12.5	31	15.0	37	3 · 251	116 x 200	1.7	B25667C2757A375	4
Rated voltage 400 V AC, 50/60 Hz, delta connection									
MKK400-D-5.0-01	5.0	7	6.0	9	3 · 32	116 x 164	1.1	B25667C5966A375	4
MKK400-D-7.5-01	7.5	11	9.0	13	3 · 50	116 x 164	1.2	B25667C3147A375	4
MKK400-D-10.0-01	10.0	14	12.0	17	3 · 64	116 x 164	1.2	B25667C4197A375	4
MKK400-D-12.5-01	12.5	18	15.0	22	3 · 83	116 x 164	1.1	B25667C3247A375	4
MKK400-D-15.0-01	15.0	22	18.0	26	3 · 100	116 x 164	1.3	B25667C3297A375	4
MKK400-D-20.0-01	20.0	30	24.0	36	3 · 133	116 x 164	1.5	B25667C3397A375	4
MKK400-D-25.0-01	25.0	36	–	–	3 · 165	116 x 200	1.8	B25667C3497A375	4
Rated voltage 415 V AC, 50/60 Hz, delta connection									
MKK415-D-5.0-01	5.0	7	6.0	8	3 · 32	116 x 164	1.1	B25667C5966A375	4
MKK415-D-6.2-01	6.2	8	7.5	10	3 · 39	116 x 164	1.2	B25667C5127A375	4
MKK415-D-10.4-01	10.4	15	12.5	17	3 · 64	116 x 164	1.2	B25667C4197A375	4
MKK415-D-12.5-01	12.5	17	15.0	21	3 · 77	116 x 164	1.3	B25667C4237A375	4
MKK415-D-15.0-01	15.0	21	18.0	25	3 · 93	116 x 164	1.4	B25667C4287A375	4
MKK415-D-16.7-01	16.7	23	20.0	28	3 · 103	116 x 164	1.5	B25667C4307A375	4
MKK415-D-20.0-01	20.8	29	25.0 ²⁾	35 ²⁾	3 · 128	116 x 200	1.7	B25667C4387A375	4
MKK415-D-25.0-01	25.0	35	–	–	3 · 154	136 x 200	2.1	B25667C4467A375	4
Rated voltage 440 V AC, 50/60 Hz, delta connection									
MKK440-D-5.0-01	5.0	7	6.0	8	3 · 27	116 x 164	1.2	B25667C4826A375	4
MKK440-D-7.5-01	7.5	10	9.0	12	3 · 41	116 x 164	1.2	B25667C4127A375	4
MKK440-D-10.4-01	10.4	14	12.5	16	3 · 57	116 x 164	1.3	B25667C4177A375	4
MKK440-D-12.5-01	12.5	16	15.0	20	3 · 69	116 x 164	1.4	B25667C4207A375	4
MKK440-D-14.2-01	14.2	19	17.0	22	3 · 77	116 x 164	1.3	B25667C4237A375	4
MKK440-D-15.0-01	15.0	20	18.0	24	3 · 83	116 x 164	1.4	B25667C4247A375	4
MKK440-D-16.7-01	16.7	22	20.0	26	3 · 92	116 x 200	1.8	B25667C4277A375	4
MKK440-D-18.8-01	18.8	25	22.6	30	3 · 103	116 x 164	1.5	B25667C4307A375	4
MKK440-D-20.0-01	20.0	26	24.0	31	3 · 111	116 x 200	1.7	B25667C4337A375	4
MKK440-D-25.0-01	25.0	33	30.0	39	3 · 137	136 x 200	2.0	B25667C4417A375	4
MKK440-D-28.1-01 ³⁾	28.1	37	–	–	3 · 154	136 x 200	2.1	B25667C4467A375	4
MKK440-D-30.0-01 ³⁾	30.0 ¹⁾	39 ¹⁾	–	–	3 · 164	136 x 200	2.4	B25667C4497A375	4
MKK440-D-33.0-01 ³⁾	33.0 ¹⁾	43 ¹⁾	–	–	3 · 181	136 x 200	2.5	B25667C4547A375	4

Types for voltages 220 V, 240 V, 600 V, 660 V and other kvar-outputs are available upon request.

¹⁾ Temperature class deviation –40/°C max, +50 °C

²⁾ Temperature class deviation –40/°B max, +45 °C

³⁾ Discharge time ≤ 75 V in 90 s

* Packing units for capacitors equal minimum order quantity.
Orders will be rounded up to packing unit or multiple thereof.

PhaseCap Premium PFC Capacitors

Gas-impregnated • Dry type • Concentric winding • Wavy cut • Triple safety system



Three-phase capacitors									
Type	50 Hz		60 Hz		C _R μF	d x h mm	Weight kg	Ordering code	Packing unit*
	Output kvar	I _R A	Output kvar	I _R A					
Rated voltage 480 V AC, 50/60 Hz, delta connection									
MKK480-D-6.25-01	6.25	8	7.5	9	3 · 29	116 x 164	1.2	B25667C4866A375	4
MKK480-D-8.3-01	8.3	10	10.0	12	3 · 39	116 x 164	1.2	B25667C5127A375	4
MKK480-D-10.4-01	10.4	12	12.5	14	3 · 48	116 x 164	1.3	B25667C5147A375	4
MKK480-D-12.5-01	12.5	15	15.0	18	3 · 58	116 x 164	1.5	B25667C5177A375	4
MKK480-D-15.0-01	15.0	18	18.0	22	3 · 69	116 x 164	1.4	B25667C4207A375	4
MKK480-D-16.7-01	16.7	20	20.0	24	3 · 77	116 x 200	1.8	B25667C5237A375	4
MKK480-D-20.0-01	20.0	24	24.0	29	3 · 92	116 x 200	1.8	B25667C4277A375	4
MKK480-D-25.0-01	25.0	30	30.0	36	3 · 115	136 x 200	2.2	B25667C4347A375	4
MKK480-D-30.0-01 ²⁾	30.0 ¹⁾	36 ¹⁾	–	–	3 · 138	136 x 200	2.4	B25667C4417A365	4
Rated voltage 525 V AC, 50/60 Hz, delta connection									
MKK525-D-8.3-01	8.3	9	10.0	11	3 · 32	116 x 164	1.1	B25667C5966A375	4
MKK525-D-10.0-01	10.0	11	12.0	13	3 · 39	116 x 164	1.2	B25667C5127A375	4
MKK525-D-12.5-01	12.5	14	15.0	17	3 · 48	116 x 164	1.3	B25667C5147A375	4
MKK525-D-15.0-01	15.0	17	18.0	20	3 · 58	116 x 164	1.5	B25667C5177A375	4
MKK525-D-16.7-01	16.7	18	20.0	21	3 · 64	116 x 164	1.6	B25667C5197A375	4
MKK525-D-20.0-01	20.0	22	24.0	26	3 · 77	116 x 200	1.8	B25667C5237A375	4
MKK525-D-25.0-01	25.0	28	30.0	33	3 · 96	136 x 200	2.3	B25667C5287A375	4
MKK525-D-30.0-01 ²⁾	30.0 ¹⁾	33 ¹⁾	–	–	3 · 115	136 x 200	2.4	B25667C5347A375	4
Rated voltage 570 V AC, 50/60 Hz, delta connection									
MKK570-D-27.5-01	27.5	27	33	32.4	3 · 90	136 x 200	2.5	B25667C5277A375	4
Rated voltage 690 V AC, 50/60 Hz, delta connection									
MKK690-D-5.0-01	5.0	4.2	6	5.0	3 · 11	116 x 164	1.3	B25667C6336A375	4
MKK690-D-10.0-01	10.0	8.4	12	10.1	3 · 23	116 x 164	1.4	B25667C6676A375	4
MKK690-D-12.5-01	12.5	10.5	15	12.6	3 · 28	116 x 164	1.5	B25667C6836A375	4
MKK690-D-15.0-01	15.0	12.6	18	15.1	3 · 34	116 x 164	1.5	B25667C6107A375	4
MKK690-D-20.8-01	20.8	17.5	25	21.0	3 · 47	136 x 200	2.0	B25667C6137A375	4
MKK690-D-25.0-01	25.0	21.0	30	25.1	3 · 56	136 x 200	2.2	B25667C6167A375	4
Rated voltage 765 V AC, 50/60 Hz, delta connection									
MKK765-D-30.0-01	30	23	36	28	3 · 55	136 x 200	2.4	B25667C7167A375	4
Rated voltage 800 V AC, 50/60 Hz, delta connection									
MKK800-D-5.0-01	5.0	3.6	6	4.3	3 · 8	116 x 164	1.2	B25667C7246A375	4
MKK800-D-7.5-01	7.5	5.4	9.0	6.5	3 · 12.4	121 x 164	1.2	B25667C7376A375	4
MKK800-D-10.0-01	10.0	7.2	12	8.7	3 · 17	116 x 164	1.3	B25667C7496A375	4
MKK800-D-12.5-01	12.5	9.0	15	11.0	3 · 21	116 x 164	1.4	B25667C7626A375	4
MKK800-D-15.0-01	15.0	11.0	18	13.0	3 · 25	116 x 164	1.5	B25667C7746A375	4
MKK800-D-20.0-01	20.0	14.5	24	17.3	3 · 33	136 x 200	2.0	B25667C7996A375	4
MKK800-D-25.0-01	25.0	18.0	30	22.0	3 · 41	136 x 200	2.3	B25667C7127A375	4
MKK800-D-28.0-01	28.0	20.0	33	24.0	3 · 46	136 x 200	2.4	B25667C7137A375	4

Types for voltages 220 V, 240 V, 600 V, 660 V and other kvar-outputs are available upon request.

¹⁾ Temperature class deviation –40/C max. +50 °C

²⁾ Temperature class deviation –40/B max. +45 °C

³⁾ Discharge time ≤ 75 V in 90 s

* Packing units for capacitors equal minimum order quantity.
Orders will be rounded up to packing unit or multiple thereof.

PhaseCap Premium PFC Capacitors

Gas-impregnated • Dry type • Concentric winding • Wavy cut • Triple safety system



Single-phase capacitors									
Type	50 Hz		60 Hz		C _R μF	d x h mm	Weight kg	Ordering code	Packing unit*
	Output kvar	I _R A	Output kvar	I _R A					
Rated voltage 230 V AC, 50/60 Hz									
MKK230-I-5.0-01	5.2	23	6.2	28	313	116 x 164	1.1	B25667C2317A175	4
MKK230-I-6.6-01	6.6	29	7.9	34	397	116 x 164	1.4	B25667C2397A175	4
MKK230-I-7.5-01	7.5	33	9.0	40	457	116 x 164	1.3	B25667C2457A175	4
MKK230-I-8.3-01	8.3	36	10.0	43	502	116 x 164	1.3	B25667C2507A175	4
MKK230-I-9.1-01 ¹⁾	9.1	38	–	–	548	116 x 164	1.4	B25667C2557A175	4
Rated voltage 400 V AC, 50/60 Hz									
MKK400-I-10.4-01	10.4	26	12.5	31	207	116 x 164	1.2	B25667C3207A175	4
MKK400-I-12.5-01	12.5	31	15.0	37	249	116 x 164	1.3	B25667C3247A175	4
Rated voltage 440 V AC, 50/60 Hz									
MKK440-I-6.9-01	6.9	16	8.3	19	116	116 x 164	1.3	B25667C5117A175	4
MKK440-I-8.3-01	8.3	19	10.0	23	144	116 x 164	1.5	B25667C5147A175	4
Rated voltage 525 V AC, 50/60 Hz									
MKK525-I-10.0-01	10.0	19	12.0	23	116	116 x 164	1.3	B25667C5117A175	4
MKK525-I-12.5-01	12.5	24	15.0	29	144	116 x 164	1.5	B25667C5147A175	4
MKK525-I-15.0-01 ¹⁾	15.0	29	18.0	35	173	116 x 200	1.7	B25667C5177A175	4
MKK525-I-18.6-01 ¹⁾	18.6	36	22.3	43	215	136 x 200	2.0	B25667C5217A175	4
Plastic protective terminal cover²⁾									
Capacitor d x h mm	For cable gland	Cable diameter outside mm	Dimensions		Ordering code				
			Ø d ₁ mm	Ø d ₂ mm					
116 x 164	PG 13,5	9–13	116	125	B44066K0135A000				
116 x 200	PG 16	10–14	116	125	B44066K0160A000				
136 x 200	PG 21	14–18	137	145	B44066K0210A000				

Types for voltages 220 V, 240 V, 600 V, 660 V and other kvar-outputs are available upon request.

¹⁾ Discharge time ≤ 75 V in 90 s

²⁾ Note: The new terminal covers can be used for B25667B series; the formerly available terminal covers do not fit for the B25667C series

* Packing units for capacitors equal minimum order quantity. Orders will be rounded up to packing unit or multiple thereof.

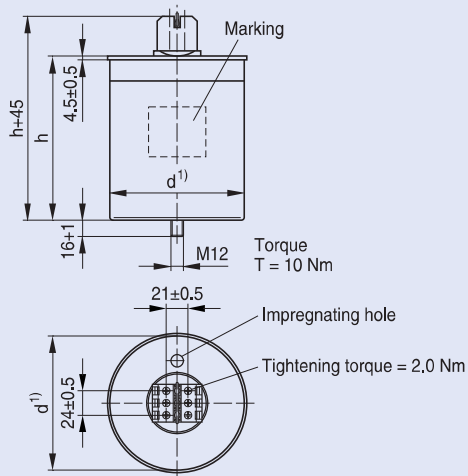
PhaseCap Premium PFC Capacitors

Gas-impregnated • Dry type • Concentric winding • Wavy cut • Triple safety system



Dimensional drawings

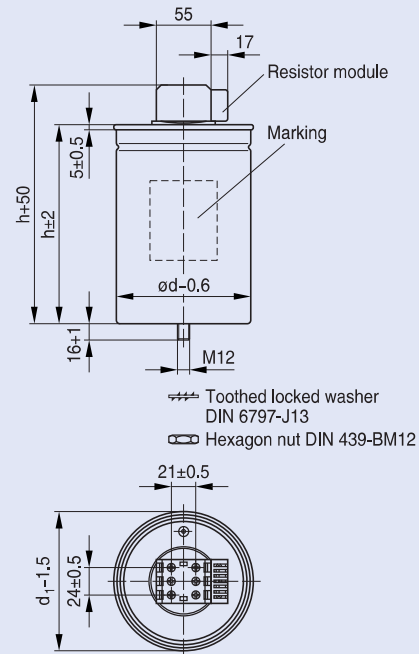
Capacitor up to 660 V AC



¹) Seaming adds 5.5 mm in diameter

KLK1841-1-E

Capacitor > 660 V AC



d_1 : seaming adds 5.5 mm in diameter

KLK1863-W-E

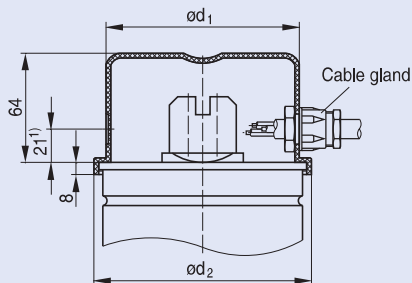
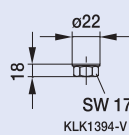
Mounting / Protective cover for terminal

Toothed washer J 12.5 DIN 6797

Hex nut BM12 DIN 439

or

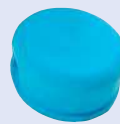
nut C61010-A415-C15



¹) Perforation for second cable gland

KLK1837-8-E

Protective terminal cover IP54



Ceramic discharge resistors

Pre-mounted for series B25667, B25673 and B32344; available as spare parts upon request

